



Model: JLV-12300KA Size: 330*90*44.5mm



Brief Information

300W

Waterproof Power Supply (C.V.)

Model FAV-300-12E/ FAV-300-24E

Input 185-250V AC

Output 12VDC 25A 300W / 24VDC 12.5A 300W

Product Features

- High transfer efficiency
- Stable constant voltage output
- IP67, both indoor & outdoor use suitable
- 100% full loading, 100% burn-in tested
- Overload/short circuit protection

MAIN ELECTRICAL DATA

AC Input

Input Voltage	185-250V
Input Frequency	50/60Hz
Efficiency (Typ.)	>85%
Input Current	2.3A@230V _{max.}
Inrush Current	40A
Leakage Current	5mA/230VAC

DC Output

Output Voltage	12V	24V
Rated Current	25A	12.5A
Rated Power	300W	300W
Ripple & Noise (Max.)	<200mVp-p	<200mVp-p
Setup, Rise Time	1000ms/230VAC	1000ms/230VAC
Line Regulation	2%	2%
Load Regulation	1%	1%

Service Environment

Working Temp.	-25°C~50°C
Working Humidity	20~99%RH
Storage Temp.	-40°C~80°C
Storage Humidity	10~99%RH

Protection

Overload	Yes, cut-off mode, output shuts down if 5-30% overloaded, automatic recovery
Short Circuit	Yes, hiccup mode, recovers automatically after fault condition is removed

Safety

Safety Standard	EN 61347-2-13
Withstand Voltage	I/P-O/P: 3750VAC/1min/<5mA
Isolation Resistance	I/P-O/P: >100M Ohms / 500VDC /25°C / 70%RH

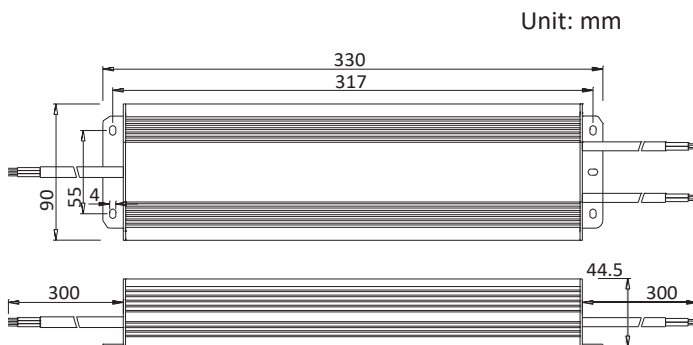
Packaging Information

Product Dimension	330*90*44.5mm
Products Net Weight	2400G
PCS/Carton(QTY)	6 PCS
Master Carton Size	37.5*24.5*16.5cm
G. Weight/ Carton	16KG

Installation Tips:

- Please identify the power supply's input and output before installation.
- Ensure correct output + & - wire connection. Power on after wire connection is done.
- To avoid voltage drop and loading capacity wasting on the output extension wire, please install the power supply to the loading as near as possible, if must use long extension wires, thicker wires and less loading wattage is required.
- The power supply to be installed at good ventilation and cooling environment.

Physical Drawing



Brief Information

300W

Waterproof Power Supply (C.V.)

Model FAV-300-12E/ FAV-300-24E

Input 185-250V AC

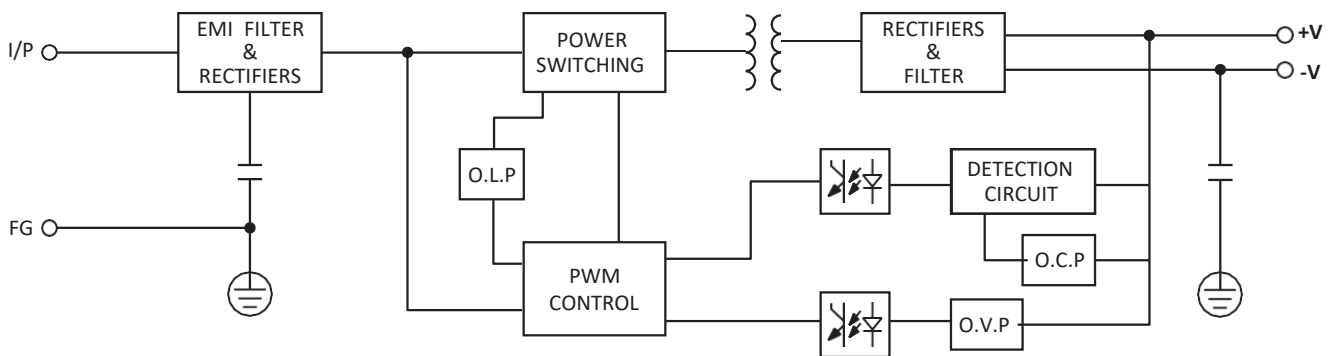
Output 12VDC 25A 300W / 24VDC 12.5A 300W

Input: 3x1.0mm² wire, Brown L, Blue N
300mm length

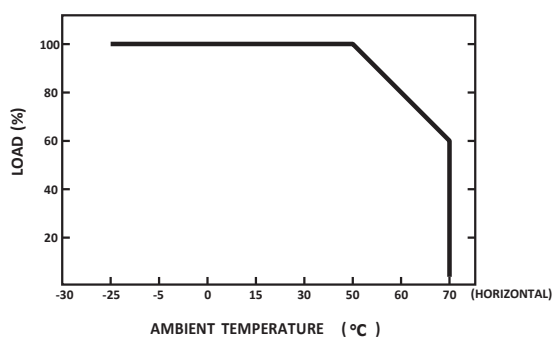
Output: 2x1.5mm² wire, Red +, Black -
300mm length, 2 outlets

Housing: Aluminium

Block Diagram



Derating Curve



Static Characteristics

