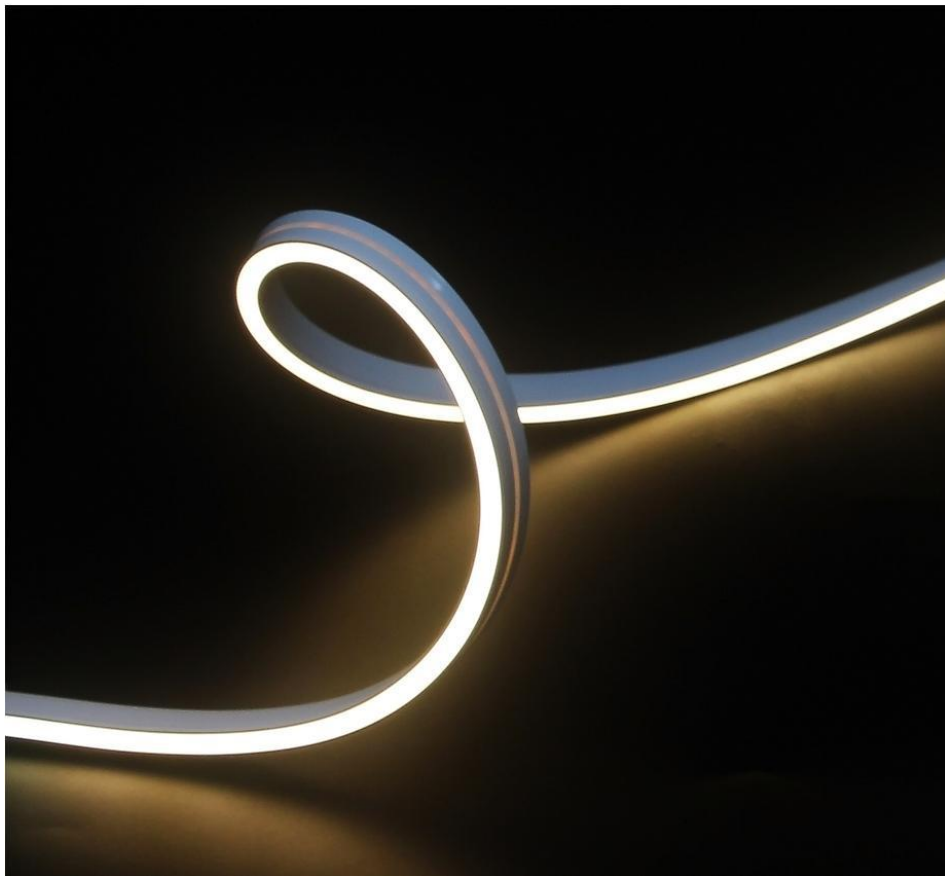


NOVANEON 6 STRIP DATA SHEET

Side viewing/side bending neon flex

F38C0AA-0612C (6*12m)



3 Year
Warranty



Description

Led neon flex strip often used to a landscape lighting, cove lighting, mood lighting, stair lighting, railings, architectural designs, home decorative, holiday decoration and other customized project lighting requirements you can imagine. Our led neon strip are made by food level environment silicone material. The strip is supplied in 5 meters of a reel. With a remote controller, you can change the brightness freely.

Product Features

- * High brightness white color
- * High light efficiency 2835 SMD led
- * Thicker double layer 2oz copper pcb for excellent thermal management
- * Single BIN LED selection to ensure color consistency(5-step MacAdam)
- * Available accessories like aluminum profile, connector, fix clip, waterproof end cap
- * Operating temperature -20 ~ +45°C
- * L50000mm*W6mm*H12mm
- * 120LEDs/m
- * DC12V
- * 10W/M
- * Ra: CRI80
- * 3 years warranty
- * 8.33mm every led cuttable
- * IP65 Rated with non-yellowing and UV resistant silicone sleeve

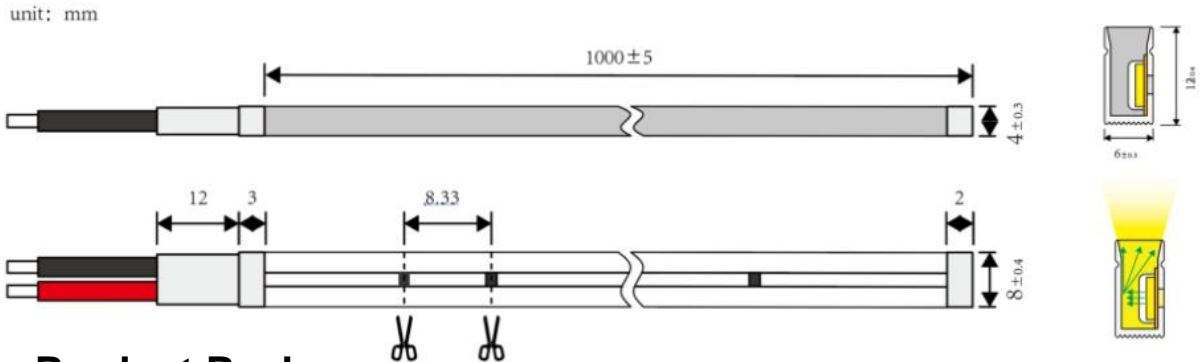
Product Specifications

Part no.	Color	Voltage	Power	Lumen/m	Luminous efficiency	CRI	IP	Beam angle	Warranty
F38C0AA-0612C	3000K	DC12V	10W/m	280LM/m	28LM/w	80	65	120°	3 Years
F38C0AA-0612C	4000K	DC12V	10W/m	300LM/m	30LM/w	80	65	120°	3 Years
F38C0AA-0612C	6500K	DC12V	10W/m	290LM/m	29LM/w	80	65	120°	3 Years

*CCT maybe +/-100K but always ordered from same bin and will present no noticeable differences perceived by the human eye.

Product Dimension

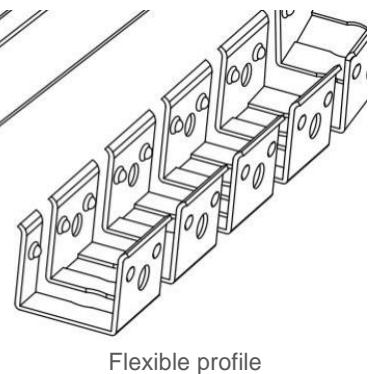
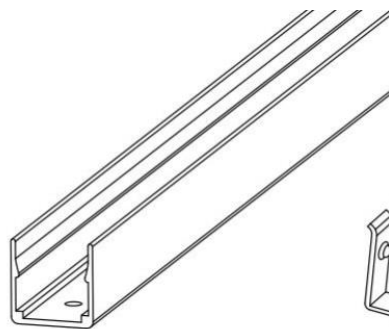
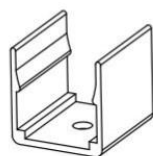
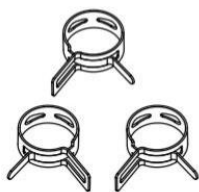
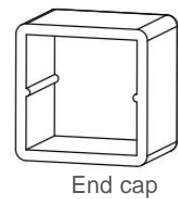
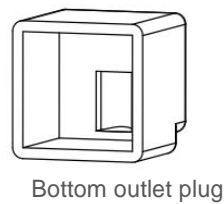
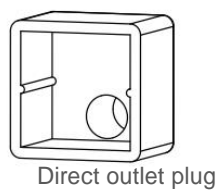
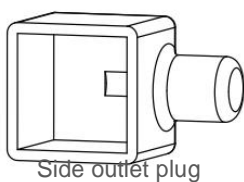
Unit: mm



Product Package

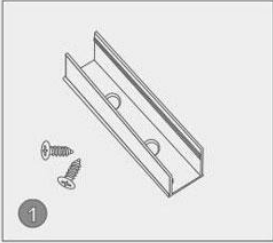
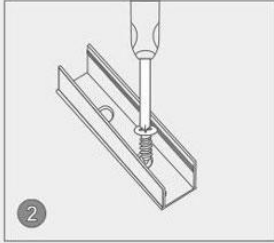
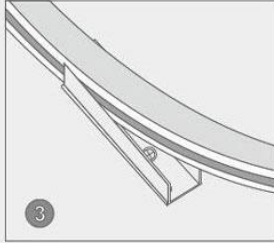
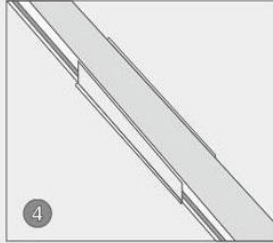
Part no.	Length	Rolls/Cartron	Meter/Cartron	Carton size	Net weight(kg/ctn)	Gross weight(kg/ctn)
F38C0AA-0612C	5 m/roll	20	100m	43*43*32cm	8	9

Product Accessories



Product Installation

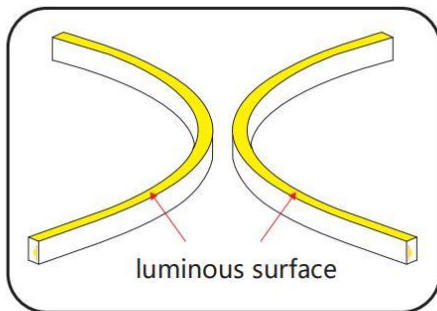
Installation instructions

			
<p>Prepare the screws and fixed clips</p>	<p>Adjust the fixed clips to the appropriate place, use a screwdriver to fix the screw.</p>	<p>Put the light emitting surface upwards, then insert the LED strip into the fixed clips.</p>	<p>Fix neon strip completely into the fixed clip. LED strip surface must be parallel to the top edge of fixed clip.</p>

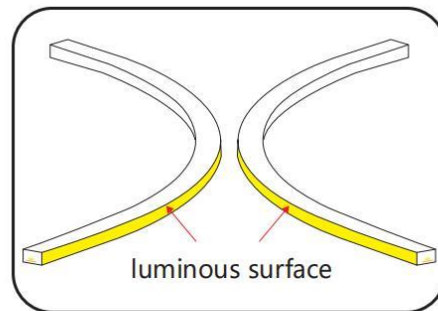
Wiring diagram



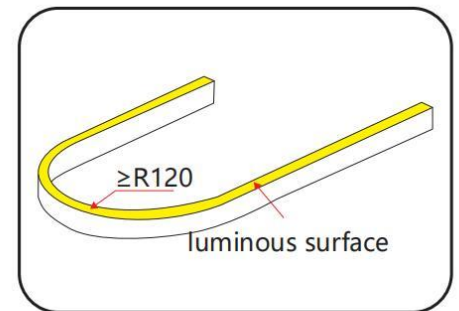
Bending way



Correct way to bend



Wrong bend



Minimum Bending:
Radius $\geq R120$ mm

Notice

1. Installation, repair and maintenance must be made by professional Person;
2. Cut off the power when installing the products.
3. It is forbidden to pull and twist the silicone light strip violently,
4. Do not use any acidic, alkaline adhesive fixing Product;
5. Before you use them make sure the power supply voltage to meet the requirements and wire connection correctly. Strictly follow the voltage label on the outgoing line of the light strip, and supply the power with the voltage provided. (If the voltage is too low, it will not light up, or it will not be bright enough. If the voltage is too high, the light strip will burn out.)
6. Don't make positive and negative reversed;