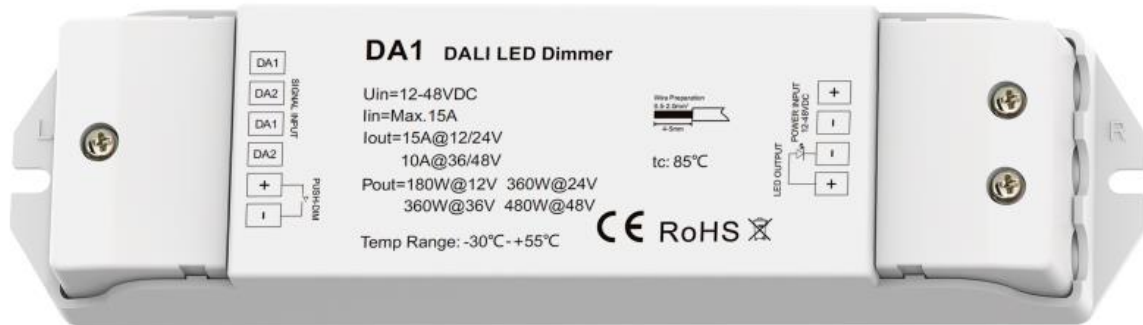




VISCOM
LEDS & FRAMES ●●●



CONTROLADOR DALÍ

Features

- Constant voltage DALI LED Dimmer with 1 channel.
- In accordance with DALI standard protocol IEC 62386-102, IEC 62386-207 and in compliance with DALI products.
- from other international incorporation.
- DALI address will be automatically assigned by DALI master, 1 DALI address.
- PWM digital dimming, standard DALI logarithmic dimming curve.
- Connect with external push switch to achieve on/off and dimming function.
- Over-heat / Over-load / Short circuit protection, recover automatically.

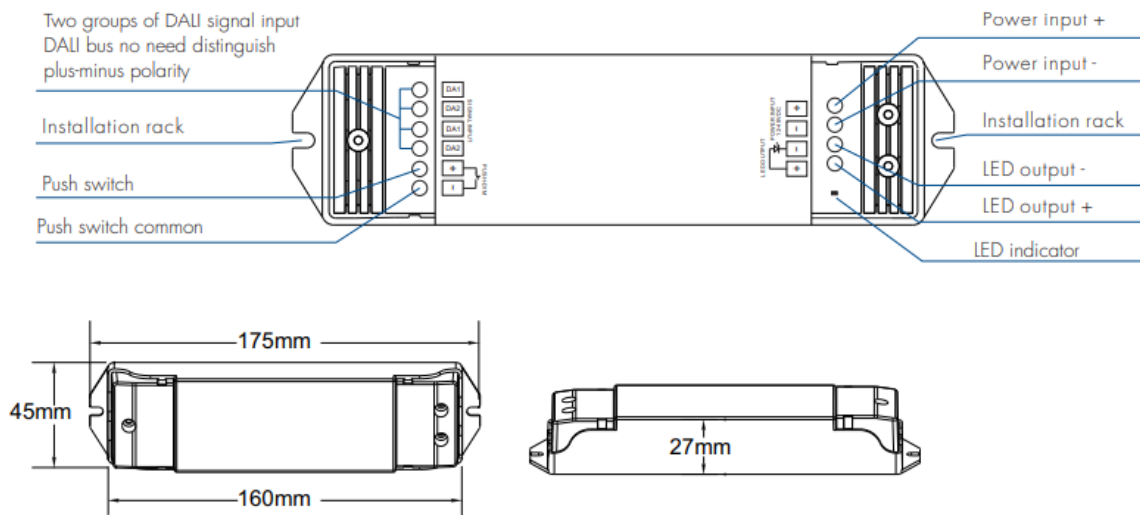
Input and Output		
Input Voltage	12-48VDC	
Input current	Max15A	
Output voltage	12-48VDC	
Output current	15A@12/24V 10A@36/48V	
Output power	180W@12V 360W@36V	360W@24V 480W@48V
Output type	Constant voltage	

Environment	
Operation temperature	Ta: -30 O C ~ +55 O C
Case temperature (Max.)	T c: +85 O C
IP rating	IP20

Dimming Data	
Input signal	DALI + Push Dim
Dimming range	0 -100%
Dimming curve	Logarithmic
PWM Frequency	2000Hz (default)

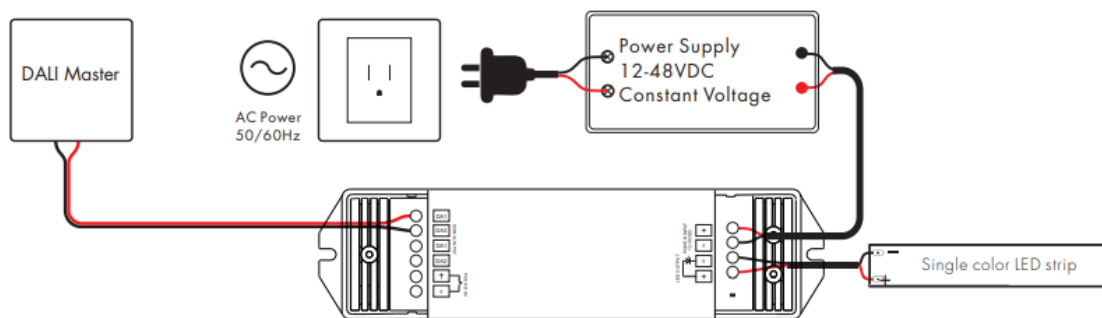
Environment	
Warranty	5 years
Portection	Reverse polarity Over-heat Over-load Short circuit

Mechanical Structures and Installations

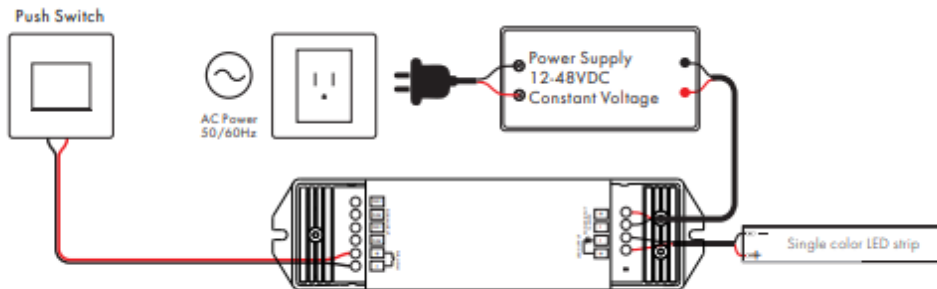


Wiring Diagram

- DA1 connect with DALI master



- DA1 connect with push switch



DALI Control

DALI Address Assigned by DALI Master

This product is designed with 1 DALI address input and 1 channel output, DALI address is assigned by DALI Master controller automatically, please refer to user manuals of compatible DALI Masters for specific operations.

DALI priority

The DALI master or Push switch can be connected at the same time, which makes the product more user-friendly and more options to fit for some extra-ordinary demands. If the controller be used with the Push-Dim interface prior to using the DALI interface, the DALI command will make it return DALI control automatically.

Push Dim Function

The provided Push-Dim interface allows for a simple dimming method using commercially available non-latching (momentary) wall switches.

Short press:

Turn on or off light.

Long press (1-6s):

Press and hold to step-less dimming, With every other long press, the light level goes to the opposite direction.

Dimming memory:

Light returns to the previous dimming level when switched off and on again, even at power failure.

Synchronization:

If more than one controller are connected to the same push switch, do a long press for more than 10s, then the system is synchronized and all lights in the group dim up to 100%. This means there is no need for any additional synchrony wire in larger installations. We recommend the number of controllers connected to a push switch does not exceed 25 pieces, The maximum length of the wires from push to controller should be no more than 20 meters.

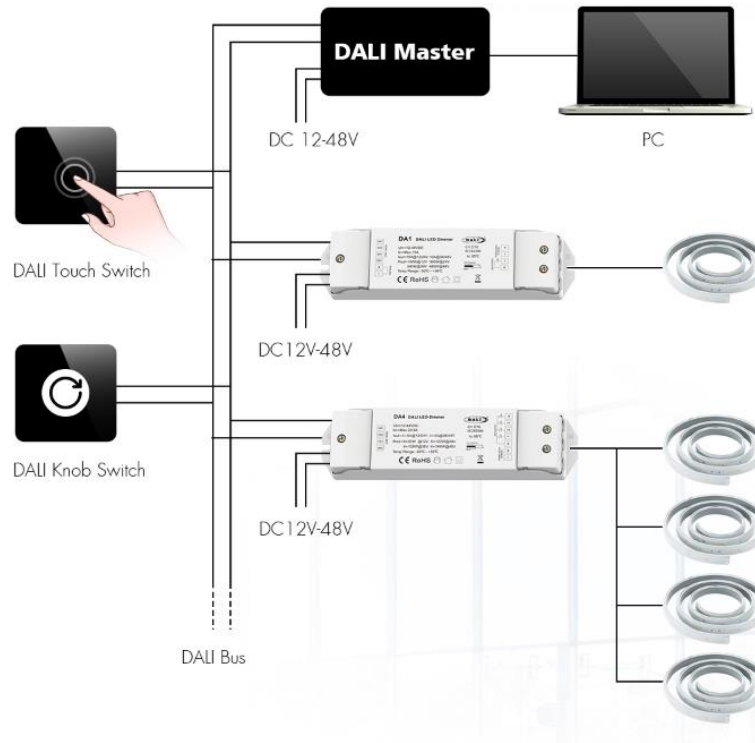
Safety & Warnings

- DO NOT install with power applied to device.
- DO NOT expose the device to moisture.

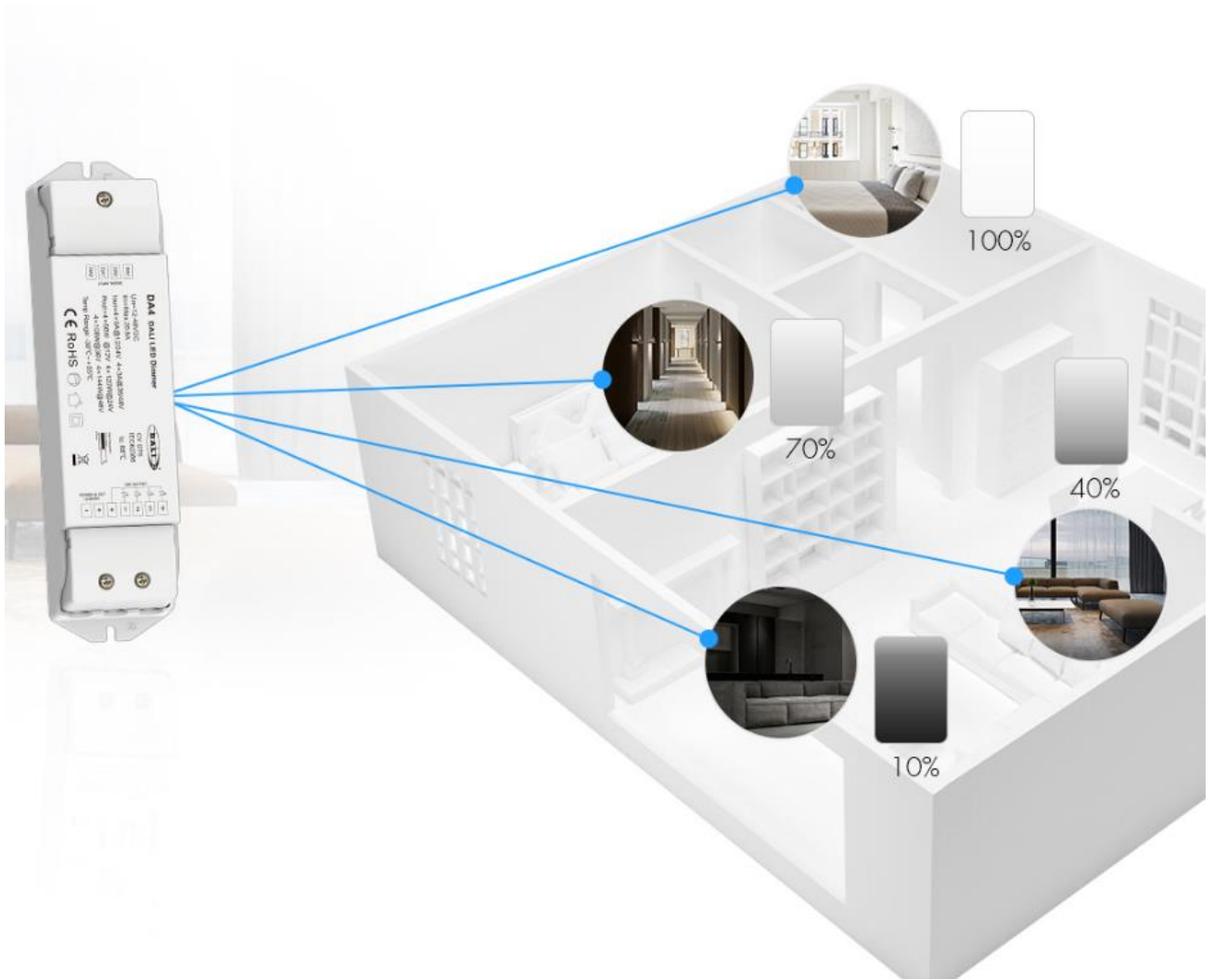
Two-way of Comunnication



DALI Diming Control System



4 different types of channels



Over-load protection



Short circuit protection



Recover automatically



5 year warranty

