

# NEON FLEX SERIE DECO6



## Feature //

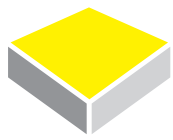
- Dot-free linear neon-like illumination;
- Fabricated with Eco-friendly, UV-resistant silicone material;
- V-2 flame resistance;
- Flexible PCB with 2835 SMD LED technology;
- 50mm=1.97in cutting mark by each, much flexible on different length request;
- Small size L6XW12mm, economical;
- CE RoH, cULus Listed.

## Application //

Signage lighting ,  
Outdoor and indoor decoration,  
Contour application.

## Installation //

Plastic Bracket



# NEON FLEX SERIE DECO6

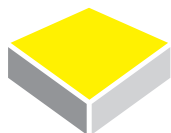
## Specifications //

<b>Part No.</b>	DECO6-XX
<b>LED Qty/m</b>	120pcs
<b>LED</b>	SMD 2835
<b>IP Grade</b>	IP67
<b>Materials</b>	Silicone
<b>Power (W/m)</b>	12W/m
<b>Voltage</b>	24V DC
<b>Beam angle</b>	140°
<b>Working Temperature(°C)</b>	-20~+60°C
<b>Installation</b>	Plastic bracket
<b>Running Length</b>	Alimentación simple: 5m Doble alimentación:10m
<b>Cutting length</b>	50mm

## Color Options //

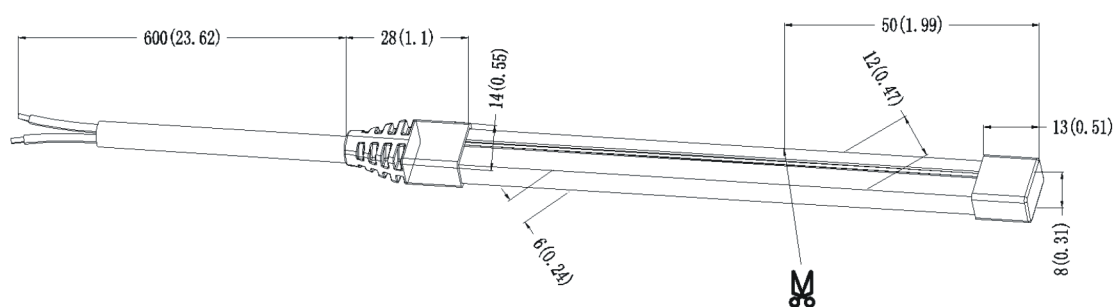
<b>Part No.</b>	DECO-6				
<b>Color</b>	White	Yellow	Green	Blue	Red
<b>CCT/Wave length</b>	3000K/4000K/ 5000K/6000K	587-589.5nm	520-522.5nm	465-467.5nm	620-625nm
<b>Lm/m</b>	400-460	400	375	75	175

Remark : The data above result from testing on typical LED, luminous flux and CCT can be different if using LED in different bin codes.

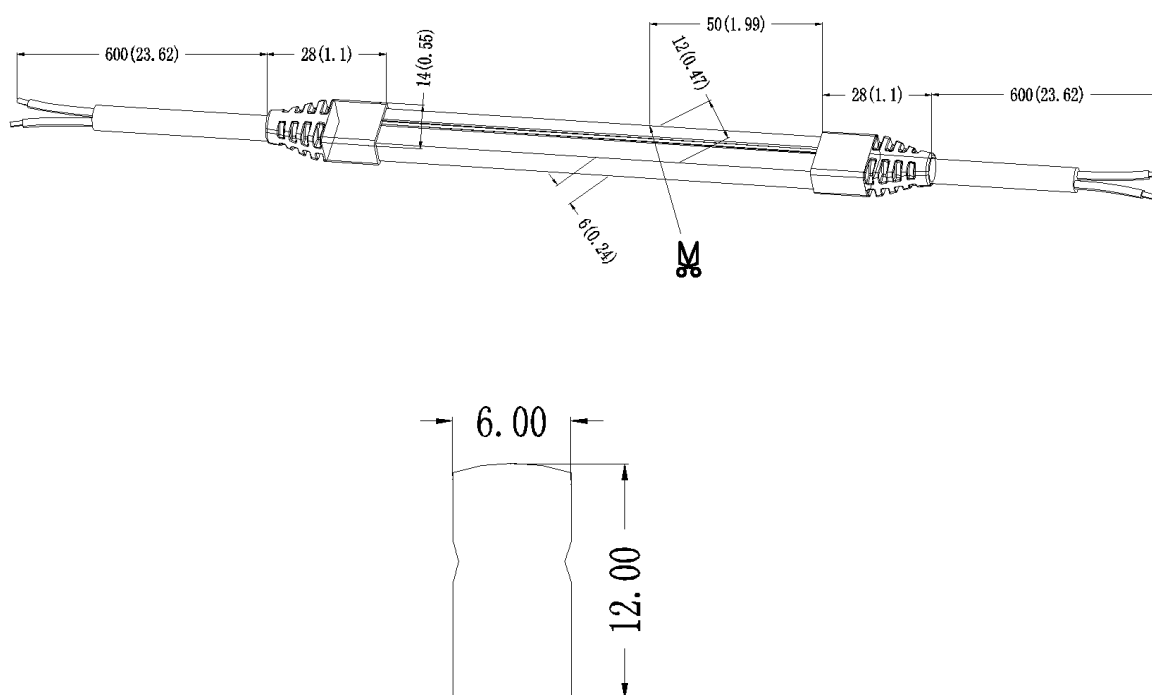


# NEON FLEX SERIE DECO6

## Dimensions one end powered



## Dimensions two ends powered





# NEON FLEX SERIE DECO6

## Power Supply Configuration Table //

Standard Length(m)	Rated current(A)	Rated Voltage(VDC)	Rated Wattage(W)	Minimum Power Supply(W)	Power Feed
1	0.5	24	12	15	Single end
3	1.5	24	36	45	Single end
5	2.5	24	60	70	Single end
8	4.0	24	96	110	Both ends
10	5.0	24	120	140	Both ends

## Power Supply Configuration Table //

Código	Descripción	Imagen
CONINF6	CONECTOR INICIAL NEON FLEX PARA 6MM	
CAPFNF6	CAPSULA FINAL NEON FLEX PARA 6MM	
PFIJPL6	PIEZA DE FIJACIÓN DE PLASTICO PARA 6 MM	